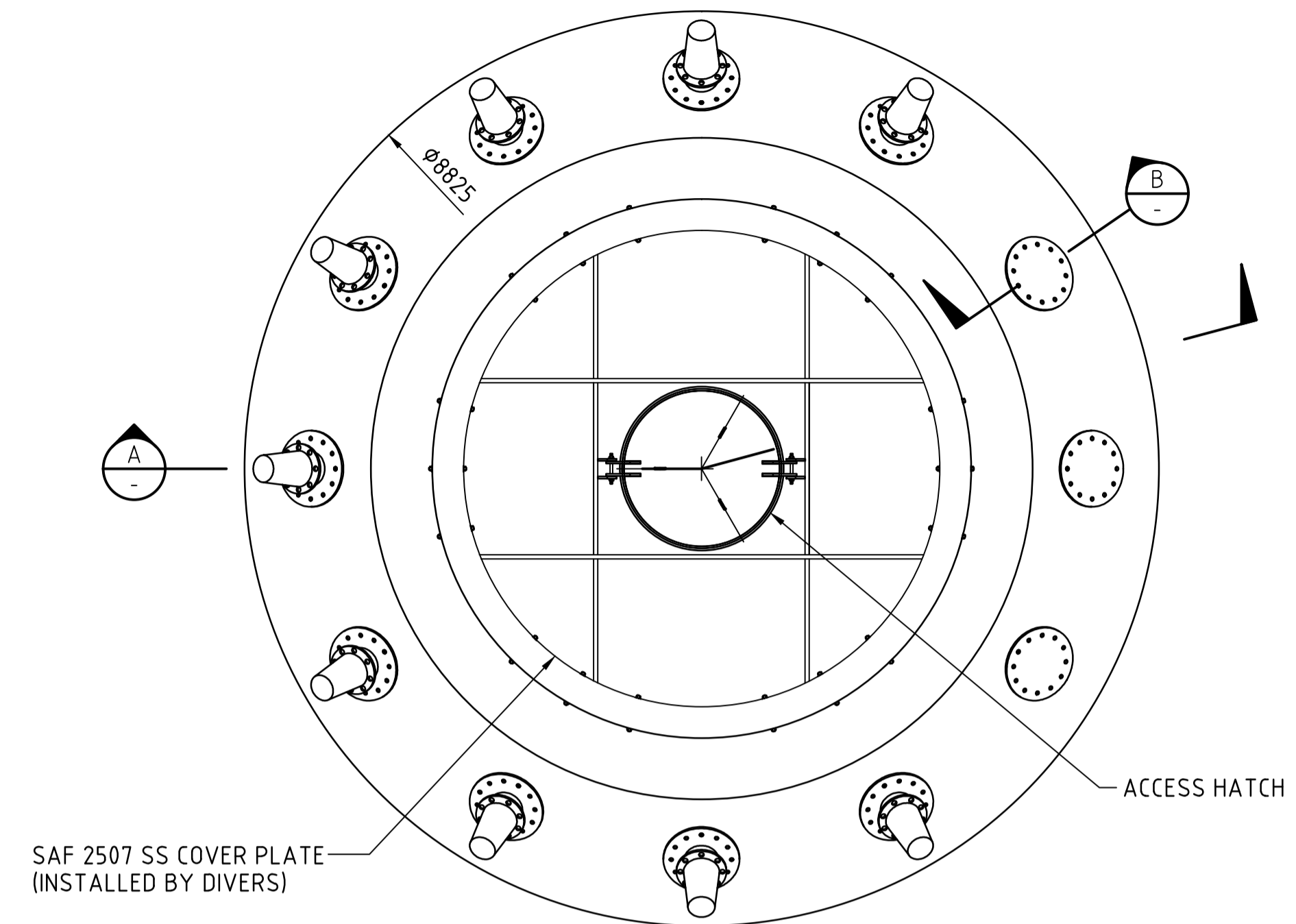
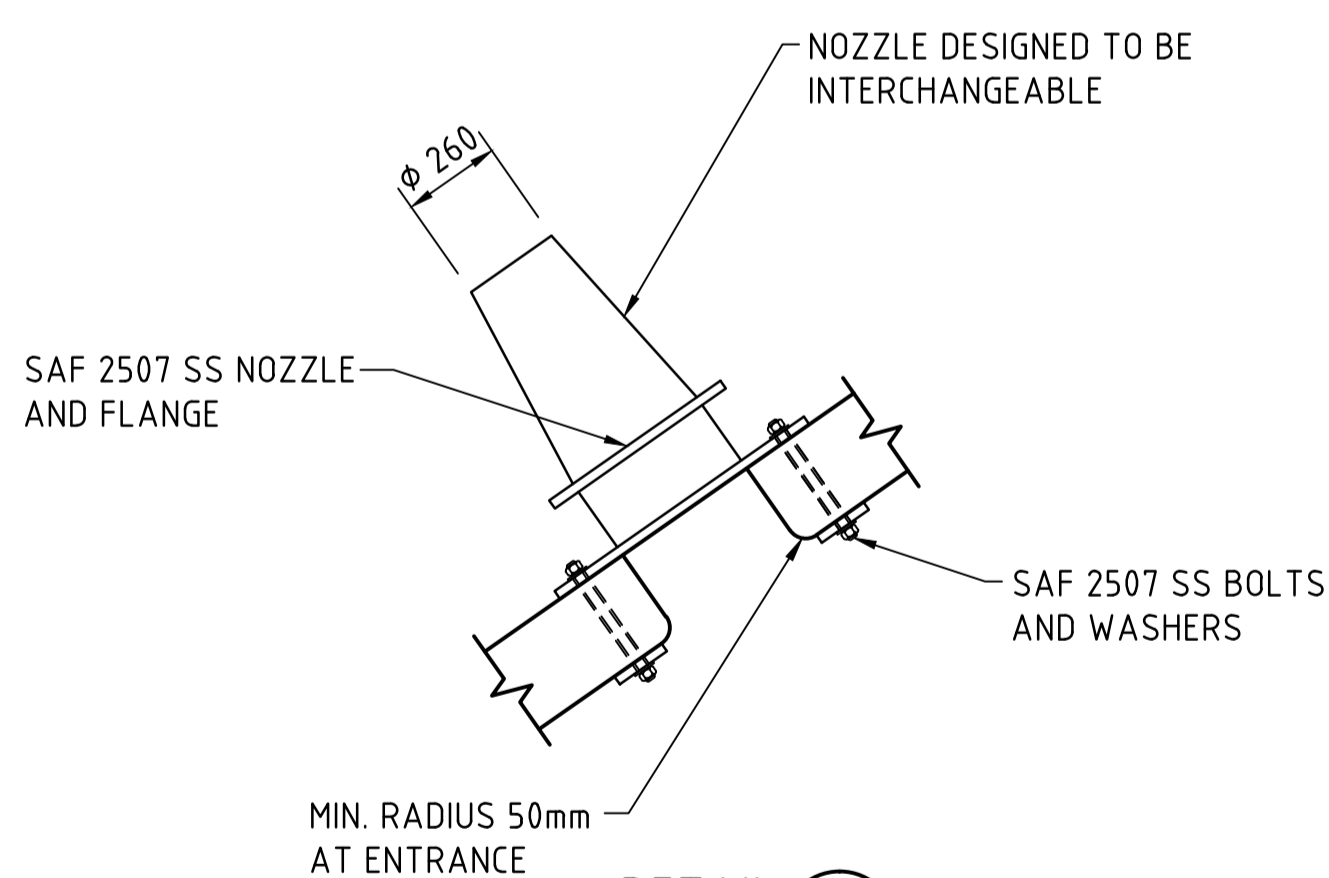


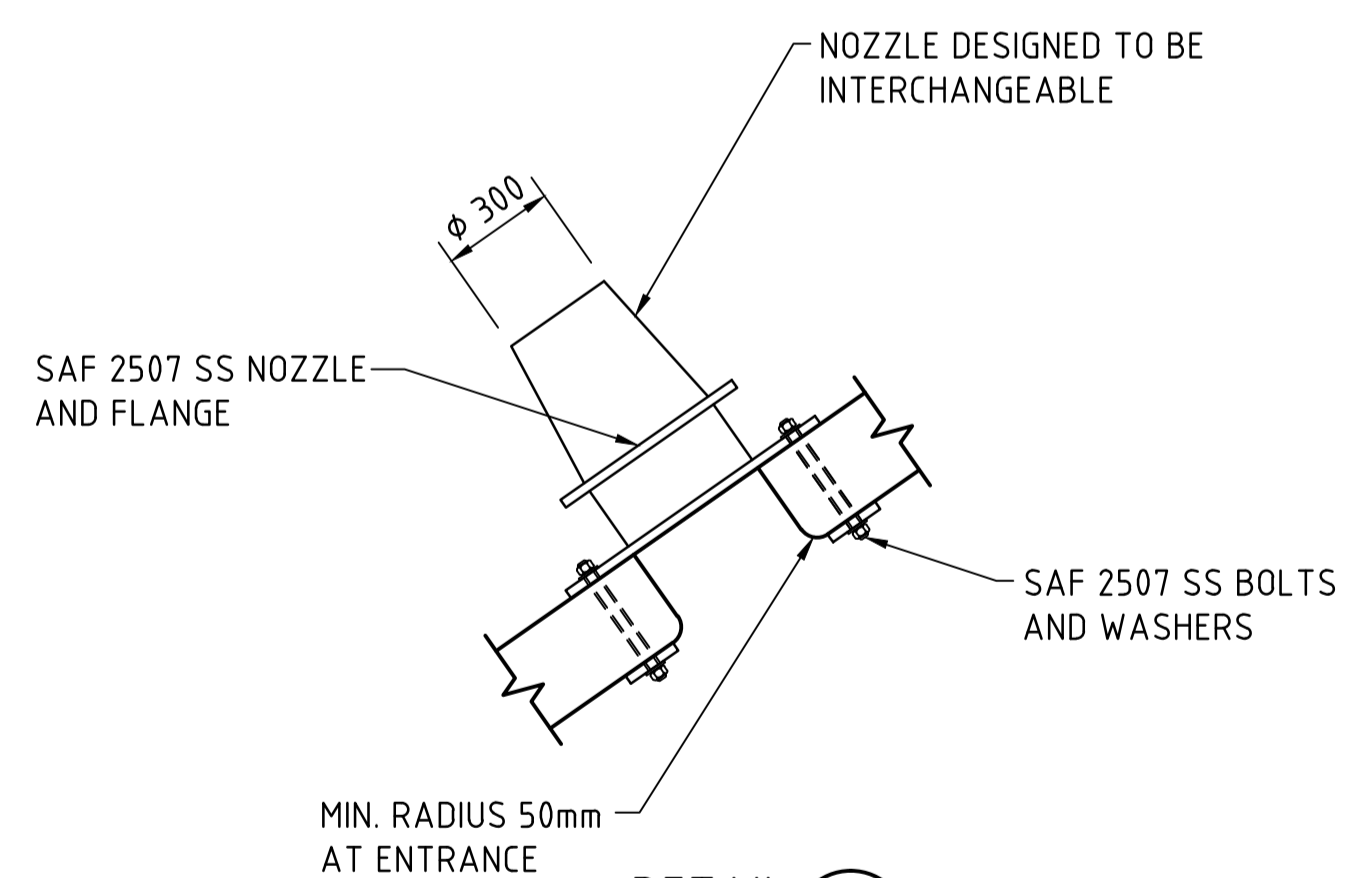
SECTION A  
SCALE 1:50



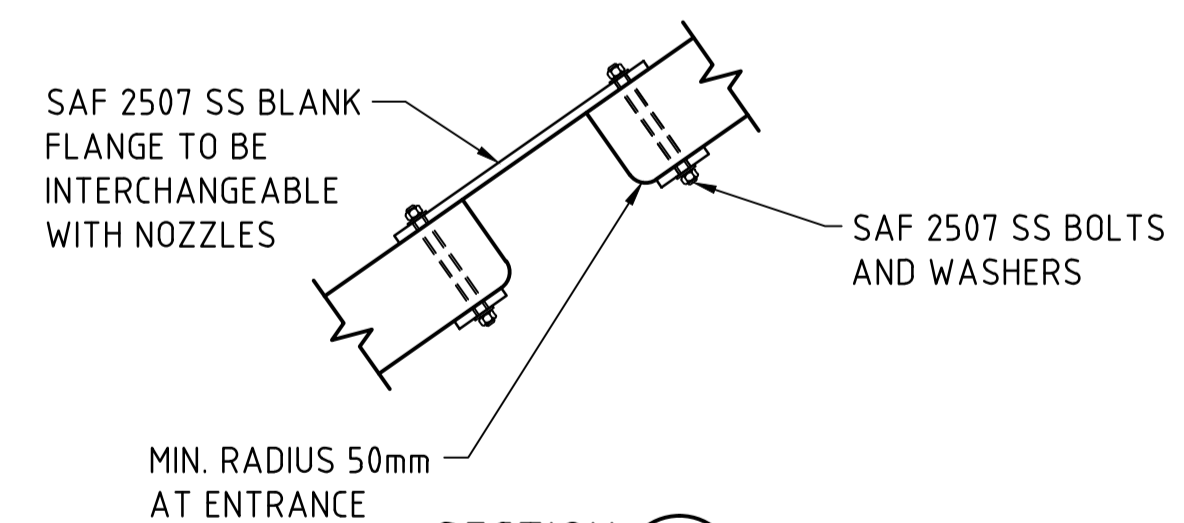
PLAN ON OUTLET STRUCTURE  
SCALE 1:50



DETAIL 1a  
SCALE 1:20  
(FOR 150 GL/YR CAPACITY)



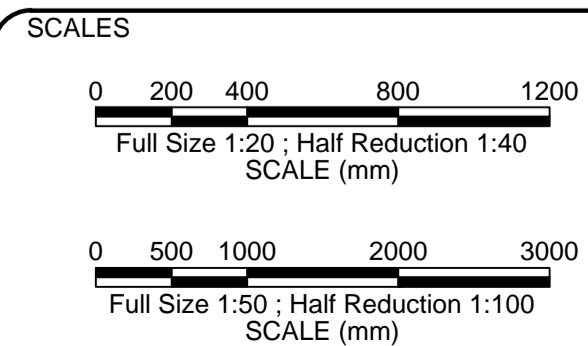
DETAIL 1b  
SCALE 1:20  
(FOR 200 GL/YR CAPACITY)



SECTION B  
SCALE 1:20  
(BLANKED NOZZLE PORT)

**PRELIMINARY ISSUE**  
NOT FOR CONSTRUCTION

VER	DATE	DESCRIPTION	DRAWN	CHECK	APPVD
F.00	30.03.10	ISSUED FOR APPROVAL			



**A1 ORIGINAL**  
DO NOT SCALE THIS DRAWING - USE FIGURED DIMENSIONS ONLY  
VERIFY ALL DIMENSIONS ON SITE  
APPROVED FOR AND ON BEHALF OF  
THE THIESS / DEGREMONT JV  
SIGNED: \_\_\_\_\_  
DATE: \_\_\_\_\_ RPEQ No. \_\_\_\_\_



PROJECT									
VICTORIAN DESALINATION PROJECT									
MARINE INTAKE AND OUTLET									
DP1-0003 HYDRODYNAMIC MODEL AND CONDITIONS REPORT (EPA)									
OUTLET STRUCTURES - FINAL BASED ON									
HYDRODYNAMIC MODELLING - TYPICAL PLAN, SECTION AND DETAILS									
TYPE	ORIG.	DISC.	AREA	SUB-AREA	ZONING No	DRG. NO.	REV.	VERSION	
DG	PBB	TU	1	A	102	0356	F	00	